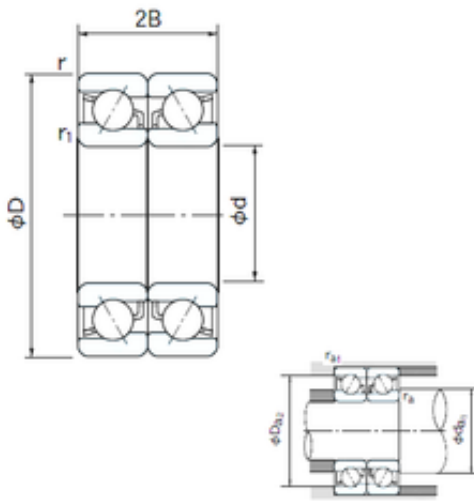




NTN BEARING CORP.

180 mm x 380 mm x 75 mm NACHI 7336BDB
angular contact ball bearings

Bearing No. 7336BDB



7336BDB Bearing 2D drawings and 3D CAD models

Size	180x380x75 mm
Bore Diameter	180 mm
Outer Diameter	380 mm
Width	75 mm
d	180 mm
D	380 mm
B	75 mm
C	75 mm
Angle (°)	40 °
a	80.0 mm
r min.	4 mm
r1 min.	1.5 mm
2B	150 mm
da min.	189 mm
Da max.	371 mm
ra max.	1.5 mm
Weight	41.3 Kg
Basic dynamic load rating (C)	625 kN
Basic static load rating (C0)	1010 kN
(Grease) Lubrication Speed	1100 r/min
Bore Type	Cylindrical Bore
Enclosure	Open
Configuration	Duplex
Bore Size	180 mm
Outside Diameter	380 mm



NTN BEARING CORP.

Width	75 mm
Fillet Radius/Chamfer	4 mm
r1	1.5 mm
Dynamic Load Rating	625,000 N
Static Load Rating	1,010,000 N
Limiting Speed - Grease	1,100 rpm
Limiting Speed - Oil	1,500 rpm
da1 (min)	198 mm
da2 (min)	189 mm
Da1 (max)	362 mm
Da2 (max)	371 mm
ra (max)	3 mm
ra1 (max)	1.5 mm