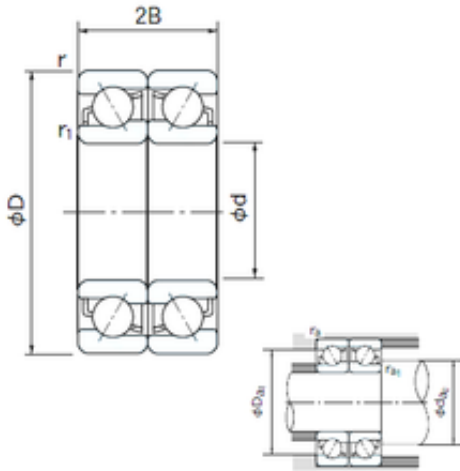




NTN BEARING CORP.

70 mm x 125 mm x 24 mm NACHI 7214DF angular contact ball bearings

Bearing No. 7214DF



7214DF Bearing 2D drawings and 3D CAD models

Size	70x125x24 mm
Bore Diameter	70 mm
Outer Diameter	125 mm
Width	24 mm
d	70 mm
D	125 mm
B	24 mm
C	24 mm
Angle (°)	30 °
a	16.1 mm
r min.	1.5 mm
r1 min.	1 mm
2B	48 mm
da min.	75 mm
Da max.	119.6 mm
ra max.	1 mm
Weight	1.12 Kg
Basic dynamic load rating (C)	124 kN
Basic static load rating (C0)	127 kN
(Grease) Lubrication Speed	3800 r/min
Bore Type	Cylindrical Bore
Enclosure	Open
Configuration	Duplex
Bore Size	70 mm
Outside Diameter	125 mm



NTN BEARING CORP.

Width	24 mm
Fillet Radius/Chamfer	1.5 mm
r1	1 mm
Dynamic Load Rating	124,000 N
Static Load Rating	127,000 N
Limiting Speed - Grease	3,800 rpm
Limiting Speed - Oil	5,000 rpm
da1 (min)	79 mm
da2 (min)	75 mm
Da1 (max)	116 mm
Da2 (max)	119.6 mm
ra (max)	1.5 mm
ra1 (max)	1 mm