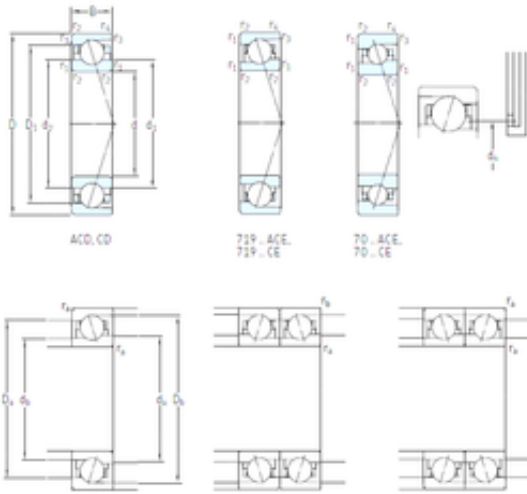




NTN BEARING CORP.



280 mm x 380 mm x 46 mm SKF 71956
ACD/HCP4A angular contact ball bearings

Bearing No. 71956 ACD/HCP4A

71956 ACD/HCP4A Bearing 2D drawings and 3D CAD models

Size	280x380x46 mm
Bore Diameter	280 mm
Outer Diameter	380 mm
Width	46 mm
d	280 mm
D	380 mm
B	46 mm
C	46 mm
d1	311,8 mm
d2	311,8 mm
r1 min.	2,1 mm
r2 min.	2,1 mm
r3 min.	1,1 mm
r4 min.	1,1 mm
D1	348,2 mm
D2	– mm
da min.	291 mm
Da max.	369 mm
db min	291 mm
ra max.	2 mm
rb max.	1 mm
dh	319,7 mm
Db max	374 mm
Weight	11 Kg
Basic dynamic load rating (C)	276 kN



NTN BEARING CORP.

Basic static load rating (C ₀)	430 kN
(Grease) Lubrication Speed	3 200 r/min
(Oil) Lubrication Speed	4 800 r/min
Fatigue load limit (P _u)	10
d ₁	311.8 mm
d ₂	311.8 mm
D ₁	348.2 mm
r _{1,2} min.	2.1 mm
r _{3,4} min.	1.1 mm
a	100.2 mm
d _a min.	291 mm
d _b min.	291 mm
D _a max.	369 mm
D _b max.	374 mm
r _a max.	2 mm
r _b max.	1 mm
d _n	319.7 mm
Basic dynamic load rating C	276 kN
Basic static load rating C ₀	430 kN
Fatigue load limit P _u	10 kN
Attainable speed for grease lubrication	3200 r/min
Attainable speed for oil-air lubrication	4800 r/min
Ball diameter D _w	30.162 mm
Number of balls z	31
Reference grease quantity G _{ref}	159 cm ³
Preload class A G _A	1700 N
Static axial stiffness, preload class A	732 N/ μ m
Preload class B G _B	3400 N
Static axial stiffness, preload class B	962 N/ μ m



NTN BEARING CORP.

Preload class C G_C	6800 N
Static axial stiffness, preload class C	1281 N/ μ m
Preload class D G_D	13600 N
Static axial stiffness, preload class D	1745 N/ μ m
Calculation factor f	1.27
Calculation factor f_1	0.98
Calculation factor f_{2A}	1
Calculation factor f_{2B}	1.07
Calculation factor f_{2C}	1.12
Calculation factor f_{2D}	1.17
Calculation factor f_{HC}	1.04
Calculation factor e	0.68
Calculation factor (single, tandem) Y_2	0.87
Calculation factor (single, tandem) Y_0	0.38
Calculation factor (single, tandem) X_2	0.41
Calculation factor (back-to-back, face-to-face) Y_1	0.92
Calculation factor (back-to-back, face-to-face) Y_2	1.41
Calculation factor (back-to-back, face-to-face) Y_0	0.76
Calculation factor (back-to-back, face-to-face) X_2	0.67
Mass bearing	11.1 kg