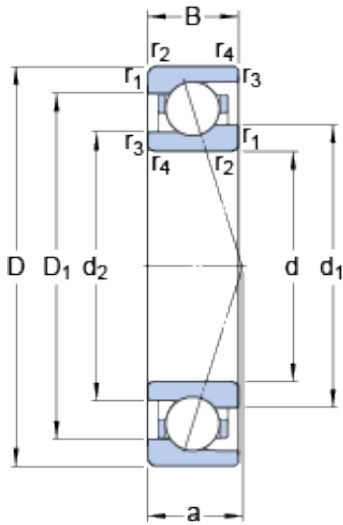




NTN BEARING CORP.



75 mm x 105 mm x 16 mm SKF 71915 CE/P4A angular contact ball bearings

Bearing No. 71915 CE/P4A

71915 CE/P4A Bearing 2D drawings and 3D CAD models

Size	105x75x16 mm
Bore Diameter	105 mm
Outer Diameter	75 mm
Width	16 mm
d	75 mm
D	105 mm
B	16 mm
d ₁	84.3 mm
d ₂	81.8 mm
D ₁	95.52 mm
r _{1,2} - min.	1 mm
r _{3,4} - min.	0.3 mm
a	20.7 mm
d _a - min.	79.6 mm
d _b - min.	77 mm
D _a - max.	100.4 mm
D _b - max.	103 mm
r _a - max.	1 mm
r _b - max.	0.3 mm
d _n	86.5 mm
Basic dynamic load rating - C	22.5 kN
Basic static load rating - C ₀	17 kN
Fatigue load limit - P _u	0.72 kN
Limiting speed for grease	17500 r/min



NTN BEARING CORP.

Lubrication	
Limiting speed for oil lubrication	27000 mm/min
Ball - D_w	9.525 mm
Ball - z	23
G_{ref}	4.5 cm3
Calculation factor - f_0	8.5
Preload class A - G_A	120 N
Preload class B - G_B	361 N
Preload class C - G_C	722 N
Calculation factor - f	1.16
Calculation factor - f	1
Calculation factor - f_{2A}	1
Calculation factor - f_{2B}	1.04
Calculation factor - f_{2C}	1.08
Calculation factor - f_{HC}	1
Preload class A	54 N/micron
Preload class B	86 N/micron
Preload class C	118 N/micron
Category	Precision Ball Bearings
Inventory	0.0
Manufacturer Name	SKF
Minimum Buy Quantity	N/A
Weight / Kilogram	0
Product Group	B04270
Enclosure	Open
Precision Class	ABEC 7 ISO P4
Material - Ball	Steel
Number of Bearings	1 (Single)
Contact Angle	15 Degree
Preload	None



NTN BEARING CORP.

Raceway Style	1 Rib Inner Ring and Outer Ring
Cage Material	Phenolic
Rolling Element	Ball Bearing
Flush Ground	No
Inch - Metric	Metric
Other Features	Single Row Angular Contact High Speed E Design
Long Description	75MM Bore; 105MM Outside Diameter; 16MM Width; Open Enclosure; ABEC 7 ISO P4 Precision; Steel Ball Material; 1 (Single) Bearing; 15 Degree Contact Angle; Phenolic Cage Material; 1 Rib Inner Ring and
Category	Precision Ball Bearings
UNSPSC	31171531
Harmonized Tariff Code	8482.10.50.28
Noun	Bearing
Keyword String	Ball Angular Contact
Manufacturer URL	http://www.skf.com
Bore	2.953 Inch 75 Millimeter
Outside Diameter	4.134 Inch 105 Millimeter
Width	0.63 Inch 16 Millimeter
d_1	84.3 mm
d_2	81.8 mm
D_1	95.52 mm
$r_{1,2}$ min.	1 mm
$r_{3,4}$ min.	0.3 mm
d_a min.	79.6 mm
d_b min.	77 mm
D_a max.	100.4 mm
D_b max.	103 mm



NTN BEARING CORP.

r_a max.	1 mm
r_b max.	0.3 mm
d_n	86.5 mm
Basic dynamic load rating C	22.5 kN
Basic static load rating C_0	17 kN
Fatigue load limit P_u	0.72 kN
Attainable speed for grease lubrication	17500 r/min
Attainable speed for oil-air lubrication	27000 r/min
Ball diameter D_w	9.525 mm
Number of balls z	23
Reference grease quantity G_{ref}	4.5 cm ³
Preload class A G_A	120 N
Static axial stiffness, preload class A	54 N/ μ m
Preload class B G_B	361 N
Static axial stiffness, preload class B	86 N/ μ m
Preload class C G_C	722 N
Static axial stiffness, preload class C	118 N/ μ m
Calculation factor f	1.16
Calculation factor f_1	1
Calculation factor f_{2A}	1
Calculation factor f_{2B}	1.04
Calculation factor f_{2C}	1.08
Calculation factor f_{HC}	1
Calculation factor f_0	8.5
Mass bearing	0.34 kg