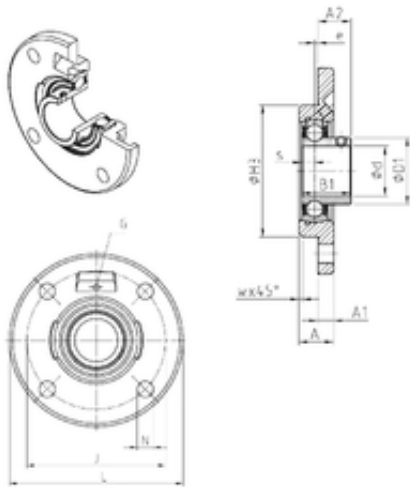




NTN BEARING CORP.



SNR USFCE203 bearing units

Bearing No. USFCE203

Bore Diameter	17 mm
d	17 mm
H3	62 mm
e	2 mm
s	6 mm
A	18 mm
A1	8 mm
B1	22 mm
D1	24,6 mm
J	78 mm
L	100 mm
N	9 mm
W	2 mm
Thread (G)	M6x1
A2	14 mm
Weight	0,5 Kg
Basic dynamic load rating (C)	9,55 kN

USFCE203 Bearing 2D drawings and 3D CAD models