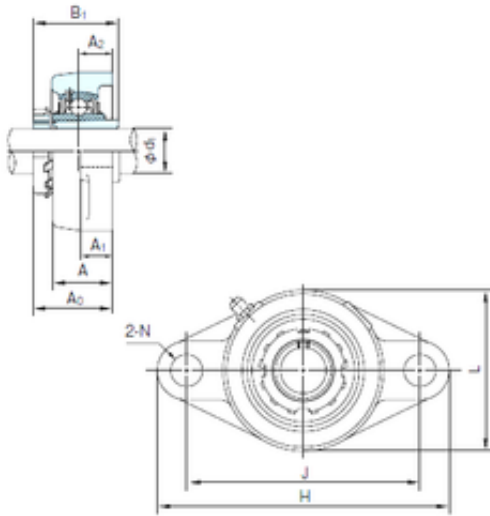




NTN BEARING CORP.

NACHI UKFL207+H2307 bearing units

Bearing No. UKFL207+H2307



UKFL207+H2307 Bearing 2D drawings and 3D CAD models

Bore Diameter	30 mm
d1	30 mm
A0	41.5 mm
A	34 mm
A1	16 mm
B1	43 mm
H	161 mm
J	130 mm
L	90 mm
L1	94 mm
N	16 mm
Bolt (G)	M14
A2	19 mm