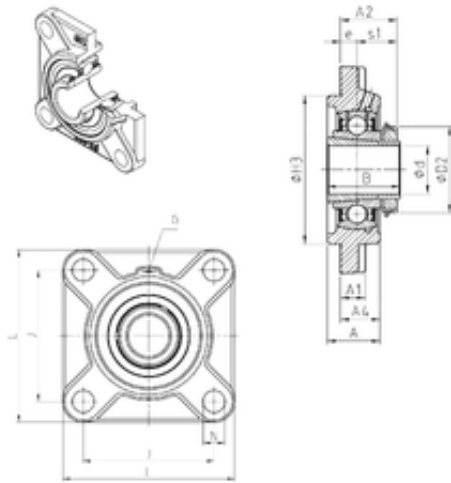




NTN BEARING CORP.

SNR UKFS319H bearing units

Bearing No. UKFS319H



UKFS319H Bearing 2D drawings and 3D CAD models

Bore Diameter	85 mm
d	85 mm
H3	250 mm
A4	74 mm
e	39 mm
s1	52 mm
A	94 mm
A1	30 mm
B	90 mm
D2	125 mm
J	228 mm
L	290 mm
N	35 mm
Thread (G)	M10x1
A2	91 mm
Weight	25,2 Kg
Basic dynamic load rating (C)	156 kN