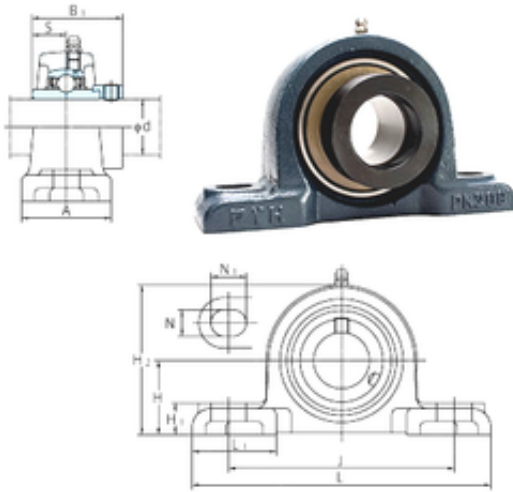




NTN BEARING CORP.



FYH NAPK212-39 bearing units

Bearing No. NAPK212-39

Bore Diameter	61,9125 mm
d	61,9125 mm
H	68,3 mm
A	64 mm
B1	77,8 mm
H1	28 mm
H2	136 mm
J	191 mm
L	241 mm
L1	65 mm
N	18 mm
N1	24 mm
S	31 mm
Bolt (G)	5/8
Weight	5,2 Kg
Basic dynamic load rating (C)	52,4 kN
Basic static load rating (C0)	36,2 kN

NAPK212-39 Bearing 2D drawings and 3D CAD models