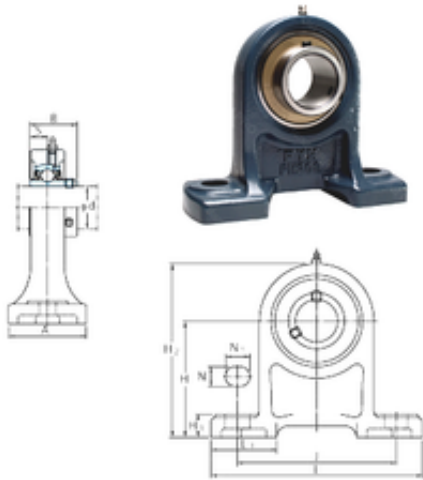




NTN BEARING CORP.

FYH UCPH209-28 bearing units



Bearing No. UCPH209-28

| | |
|-------------------------------|----------|
| Bore Diameter | 44,45 mm |
| Width | 49,2 mm |
| d | 44,45 mm |
| A | 70 mm |
| B | 49,2 mm |
| H | 105 mm |
| H1 | 20 mm |
| H2 | 158 mm |
| J | 146 mm |
| L | 190 mm |
| L1 | 58 mm |
| N | 17 mm |
| N1 | 21 mm |
| S | 19 mm |
| Bolt (G) | M14 |
| Weight | 3 Kg |
| Basic dynamic load rating (C) | 34,1 kN |
| Basic static load rating (C0) | 21,3 kN |

UCPH209-28 Bearing 2D drawings and 3D CAD models