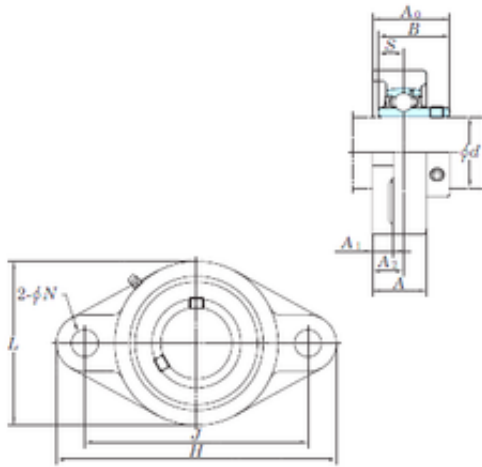




NTN BEARING CORP.

KOYO UCFL204-12 bearing units

Bearing No. UCFL204-12



UCFL204-12 Bearing 2D drawings and 3D CAD models

Bore Diameter	19.05 mm
d	19.05 mm
A0	33,3 mm
A	25,5 mm
A1	11 mm
B	31 mm
H	113 mm
J	90 mm
L	60 mm
N	12 mm
S	12,7 mm
A2	15 mm
Weight	0,47 Kg
Basic static load rating (C0)	12,8 kN