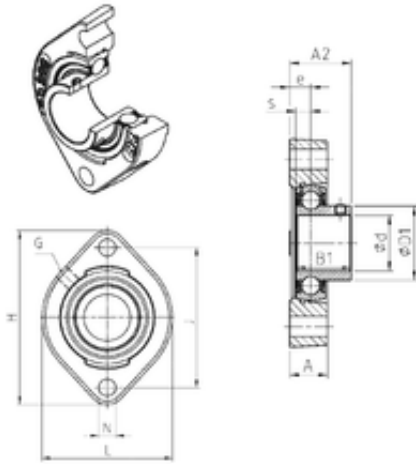




NTN BEARING CORP.

SNR USFD205 bearing units



Bearing No. USFD205

Bore Diameter	25 mm
d	25 mm
e	9,9 mm
s	7,5 mm
A	17,5 mm
B1	27 mm
D1	34 mm
H	97 mm
J	76,2 mm
L	71 mm
N	9 mm
Thread (G)	M6x1
A2	29,4 mm
Weight	0,5 Kg
Basic dynamic load rating (C)	14 kN

USFD205 Bearing 2D drawings and 3D CAD models