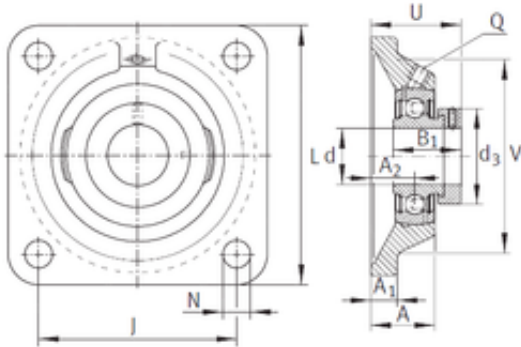




# NTN BEARING CORP.

## INA PCJ2-7/16 bearing units



Bearing No. PCJ2-7/16

Bore Diameter	61,913 mm
d	61,913 mm
V	148,996 mm
U	73,609 mm
Thread (Q)	1/8 NPT
d3	83,998 mm
A	48,997 mm
A1	17,501 mm
B	53,111 mm
J	143,002 mm
L	175,489 mm
N	18,009 mm
A2	34,011 mm
Category	Flange Block Bearings
Inventory	0.0
Manufacturer Name	SCHAEFFLER GROUP
Minimum Buy Quantity	N/A
Weight / Kilogram	5.01
Product Group	M06110
Number of Mounting Holes	4
Mounting Method	Eccentric Collar
Housing Style	4 Bolt Square Flange Block
Rolling Element	Ball Bearing
Housing Material	Cast Iron
Expansion / Non-expansion	Non-expansion
Mounting Bolts	0.709 Inch

PCJ2-7/16 Bearing 2D drawings and 3D CAD models



## NTN BEARING CORP.

Relubricatable	Yes
Insert Part Number	GRA207NPPB
Seals	Double Lip Contact
Housing Configuration	1 Piece Solid
Pilot Configuration	No Pilot
Inch - Metric	Inch
Long Description	4 Bolt Square Flange Block; 2-7/16" Bore; 7.9" Bolt Circle; 5-5/8" Bolt Spacing; 1 Piece Solid; Eccentric Collar Mount; Cast Iron; Ball Bearing; 2.091" Length Thru Bore; Relubricat
Other Features	Single Row   With Set Screw
Category	Flange Block
UNSPSC	31171501
Harmonized Tariff Code	8483.20.40.40
Noun	Bearing
Keyword String	Flanged
Manufacturer URL	<a href="http://www.ina.com">http://www.ina.com</a>
Manufacturer Item Number	PCJ2-7/16
Weight / LBS	11.025
Cartridge Pilot Depth	0 Inch   0 Millimeter
Cartridge Pilot Diameter	0 Inch   0 Millimeter
Length Thru Bore	2.091 Inch   53.1 Millimeter
Bore	2.438 Inch   61.925 Millimeter
Bolt Spacing	5.625 Inch   142.88 Millimeter
Nominal Bolt Circle Diameter Round	7.9 Inch   200 Millimeter