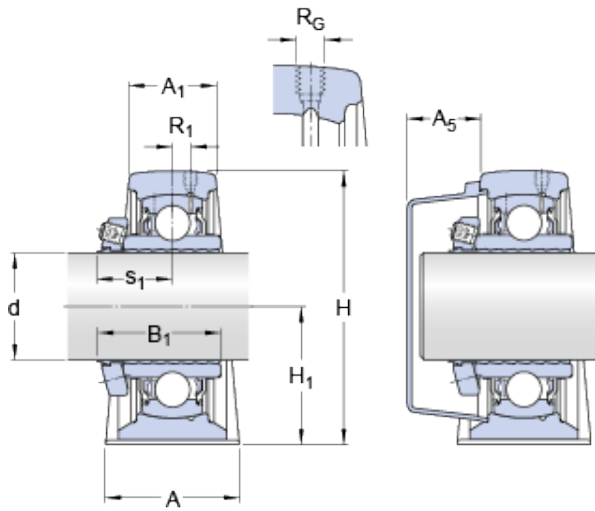




NTN BEARING CORP.

SKF SY 55 LF bearing units

Bearing No. SY 55 LF



SY 55 LF Bearing 2D drawings and 3D CAD models

Size	55x56.67x60 mm
Bore Diameter	55 mm
Outer Diameter	56,67 mm
Width	60 mm
d	55 mm
d	56.67 mm
A	60 mm
A ₁	40 mm
A ₅	34 mm
B ₁	49 mm
H	126 mm
H ₁	63.5 mm
H ₂	24 mm
J	171.5 mm
J - max.	181 mm
J - min.	162 mm
L	219 mm
H	27.5 mm
N ₁	18 mm
s ₁	29 mm
J ₆	201 mm
J ₇	21 mm
N ₄	4 mm
D _N	6.5 mm
SW	7 mm



NTN BEARING CORP.

N	
G_N - 1/4-28 SAE-LT	1/428 SAELT
R_G - 1/4-28 UNF	1/428 UNF
R_1	4.5 mm
R	45 °
Basic dynamic load rating - C	43.6 kN
Basic static load rating - C_0	29 kN
Fatigue load limit - P_u	1.2 kN
Limiting speed	3600 r/min
Weight	3.35 kg
Hexagonal key size for grub screw - H	3 mm
Recommended tightening torque for grub screw	7.4 N · m
Category	Bearings
Inventory	0.0
Manufacturer Name	SKF
Minimum Buy Quantity	N/A
UNSPSC	31171511
Weight / Kilogram	0
Product Group	M06110
Housing material	Cast iron
A_1	40 mm
A_5	34 mm
B_1	49 mm
H_1	63.5 mm
H_2	24 mm
J max.	181 mm
J min.	162 mm
N	27.5 mm
N_1	18 mm
s_1	29 mm



NTN BEARING CORP.

R_G	1/4-28 UNF
R_1	4.5 mm
R	45 °
D_N	6.5 mm
SW_N	7 mm
G_N	1/4-28 SAE-LT
J_6	201 mm
J_7	21 mm
N_4	4 mm
Basic dynamic load rating C	43.6 kN
Basic static load rating C_0	29 kN
Fatigue load limit P_u	1.25 kN
Mass bearing unit	3.35 kg
Thread grub screw G_2	M6
Hexagonal key size for grub screw N	3 mm
Recommended diameter for attachment bolts, mm G	16 mm
Recommended diameter for attachment bolts, inch G	0.625 in