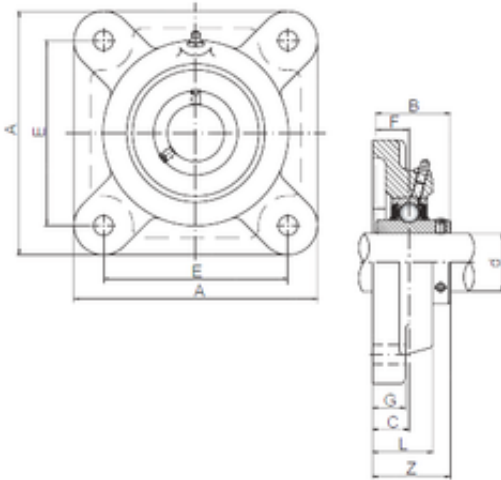




# NTN BEARING CORP.



## ISO UCF311 bearing units

Bearing No. UCF311

Bore Diameter	55 mm
Width	66 mm
d	55 mm
Z	71 mm
A	185 mm
B	66 mm
C	30 mm
E	140 mm
F	25 mm
G	20 mm
L	52 mm
S	23 mm
Bolt (G)	M20

UCF311 Bearing 2D drawings and 3D CAD models