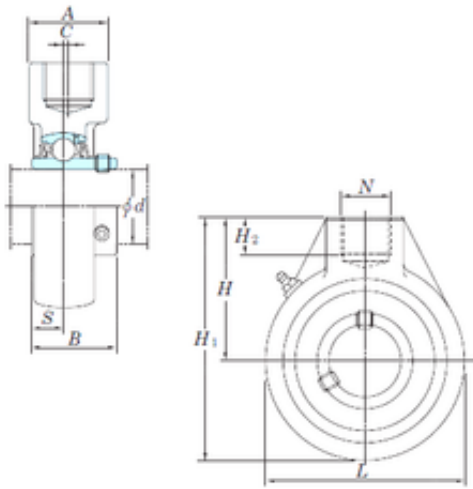




# NTN BEARING CORP.

## KOYO UCHA201 bearing units

Bearing No. UCHA201



UCHA201 Bearing 2D drawings and 3D CAD models

Bore Diameter	12 mm
Width	31 mm
d	12 mm
A	40 mm
B	31 mm
H	64 mm
H1	96 mm
H2	19 mm
L	64 mm
S	12,7 mm
Bolt (G)	PF 3/4
Weight	0,77 Kg
Basic dynamic load rating (C)	12,8 kN
Basic static load rating (C0)	6,65 kN