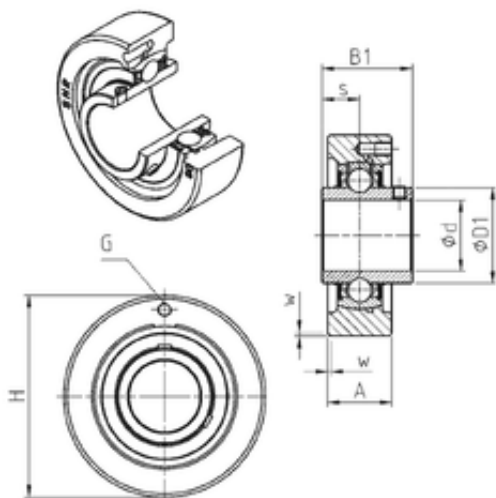




NTN BEARING CORP.

SNR UCC313 bearing units

Bearing No. UCC313



UCC313 Bearing 2D drawings and 3D CAD models

Bore Diameter	65 mm
d	65 mm
s	30 mm
A	50 mm
B1	75 mm
D1	87,5 mm
H	170 mm
W	3,5 mm
Thread (G)	M6x1
Weight	5,7 Kg
Basic dynamic load rating (C)	93,86 kN
B	75 mm
A3	3.5 mm
A5	45 mm
G	M6x1
s1	37.5 mm
S	30 mm
SW	6 mm
C	93.86 kN
C0	60.5 kN
T min.	-20 ° C
T max.	100 ° C
Recommended tightening torque for set screw	33 Nm
Designation of housing	C313-
Designation of bearing	UC313G2



NTN BEARING CORP.