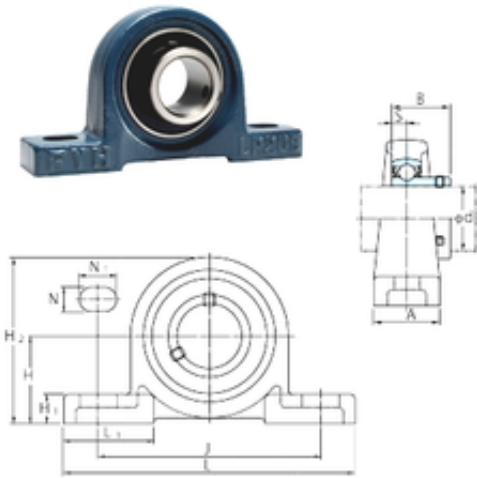




# NTN BEARING CORP.

## FYH BLP208 bearing units

Bearing No. BLP208



BLP208 Bearing 2D drawings and 3D CAD models

Bore Diameter	40 mm
Width	34 mm
d	40 mm
A	37 mm
B	34 mm
H	50,8 mm
H1	18 mm
H2	102 mm
J	140 mm
L	184 mm
L1	55 mm
N	14 mm
N1	22 mm
S	9 mm
Bolt (G)	M12
Weight	1,8 Kg
Basic dynamic load rating (C)	29,1 kN
Basic static load rating (C0)	17,8 kN
Category	Bearings
Inventory	0.0
Manufacturer Name	FYH BEARING UNITS
Minimum Buy Quantity	N/A
Weight / Kilogram	0
Product Group	M06110