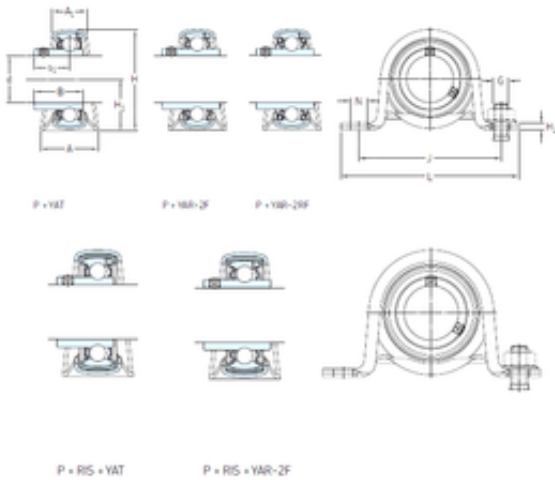




NTN BEARING CORP.



SKF P 17 TF bearing units

Bearing No. P 17 TF

| | |
|---|---------------|
| Bore Diameter | 17 mm |
| d | 17 mm |
| s1 | 15,9 mm |
| A | 26 mm |
| A1 | 18 mm |
| B | 27,4 mm |
| H | 44 mm |
| H1 | 22 mm |
| H2 | 3 mm |
| J | 68 mm |
| L | 86 mm |
| N | 9,6 mm |
| Thread (G) | 8 |
| Weight | 0,16 Kg |
| Basic dynamic load rating (C) | 9,56 kN |
| Basic static load rating (C0) | 4,75 kN |
| Housing material | Pressed steel |
| A ₁ | 18 mm |
| B ₄ | 4 mm |
| H ₁ | 22.1 mm |
| H ₂ | 3 mm |
| s ₁ | 15.9 mm |
| Basic dynamic load rating C | 9.56 kN |
| Basic static load rating C ₀ | 4.75 kN |
| Fatigue load limit P _u | 0.2 kN |
| Permissible radial housing | 1.25 kN |

P 17 TF Bearing 2D drawings and 3D CAD models



NTN BEARING CORP.

| | |
|---|------------|
| load max. | |
| Limiting speed | 9500 r/min |
| Mass bearing unit | 0.15 kg |
| Thread grub screw G ₂ | M6x0.75 |
| Hexagonal key size for grub screw N | 3 mm |
| Recommended tightening torque for grub screw | 4 N · m |
| Recommended diameter for attachment bolts, mm G | 8 mm |
| Recommended diameter for attachment bolts, inch G | 0.3125 in |
| Housing | P 40 |
| Bearing | YAR 203-2F |