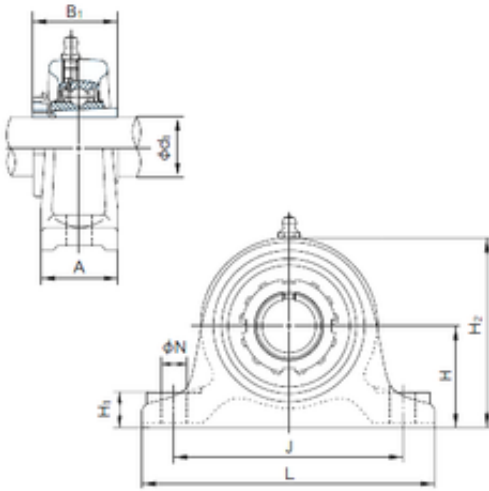




NTN BEARING CORP.

NACHI UKIP318+H2318 bearing units

Bearing No. UKIP318+H2318



UKIP318+H2318 Bearing 2D drawings and 3D CAD models

Bore Diameter	80 mm
Width	130 mm
d	80 mm
A	85 mm
B1	86 mm
H	130 mm
H1	45 mm
H2	260 mm
J	330 mm
L	400 mm
N	29 mm
Bolt (G)	M24