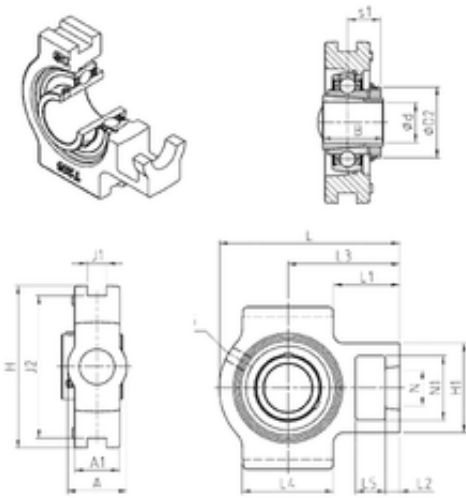




NTN BEARING CORP.

SNR UKT312H bearing units

Bearing No. UKT312H



UKT312H Bearing 2D drawings and 3D CAD models

Bore Diameter	55 mm
d	55 mm
L4	123 mm
L5	31 mm
L2	25 mm
L3	135 mm
s1	36,5 mm
A	71 mm
A1	46 mm
B	62 mm
D2	80 mm
H	178 mm
H1	113 mm
L	220 mm
L1	73,5 mm
N	41 mm
N1	71 mm
Thread (G)	M6x1
J1	22 mm
J2	160 mm
Weight	7,5 Kg
Basic dynamic load rating (C)	81,6 kN
A2	46 mm
A5	36.5 mm
B1	62 mm
d1	80 mm



NTN BEARING CORP.

G	M6x1
H2	113 mm
N2	71 mm
C	81.6 kN
C0	51.8 kN
T min.	-20 ° C
T max.	100 ° C
Adapter sleeve reference	H2312
Designation of housing	T312-
Designation of bearing	UK312G2H