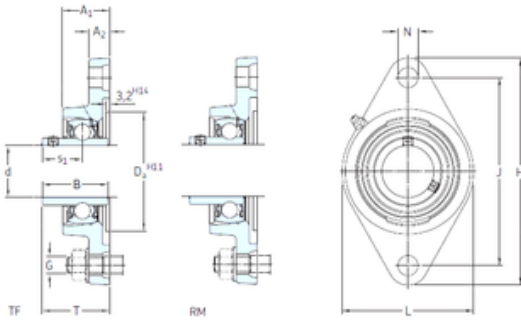




NTN BEARING CORP.

SKF FYTB 3/4 TF bearing units



Bearing No. FYTB 3/4 TF

Bore Diameter	19.05 mm
Width	31 mm
d	19.05 mm
s1	18,3 mm
A1	29,5 mm
B	31 mm
G	10 mm
H	112 mm
J	90 mm
L	60,5 mm
N	11,5 mm
T	37,3 mm
A2	11 mm
Weight	0,5 Kg
Basic dynamic load rating (C)	12,7 kN
Basic static load rating (C0)	6,55 kN
Fatigue load limit (Pu)	0,28
Category	Flange Block Bearings
Inventory	0.0
Manufacturer Name	SKF
Minimum Buy Quantity	N/A
Weight / Kilogram	0.5
EAN	7316570338812
Product Group	B04144
Number of Mounting Holes	2
Mounting Method	Set Screw

FYTB 3/4 TF Bearing 2D drawings and 3D CAD models



NTN BEARING CORP.

Housing Style	2 Bolt Flange Block
Rolling Element	Ball Bearing
Housing Material	Cast Iron
Expansion / Non-expansion	Non-expansion
Mounting Bolts	3/8 Inch
Relubricatable	Yes
Insert Part Number	YAR 204-012-2F
Seals	M Seal
Housing Configuration	1 Piece Solid
Pilot Configuration	No Pilot
Inch - Metric	Inch
Long Description	2 Bolt Flange Block; 3/4" Bore; 3-1/2" Bolt Circle; 3.543" Bolt Spacing; 1 Piece Solid; Set Screw Mount; Cast Iron; Ball Bearing; 1.221" Length Thru Bore; Relubricatable; M Seal Se
Other Features	Single Row Standard Duty Wide Inner Race Open End Has Flinger Y Bearing
Category	Flange Block
UNSPSC	31171501
Harmonized Tariff Code	8483.20.40.40
Noun	Bearing
Keyword String	Flanged
Manufacturer URL	http://www.skf.com
Manufacturer Item Number	FYTB 3/4 TF
Weight / LBS	1.1
Nominal Bolt Circle Diameter Round	3.5 Inch 90 Millimeter
Bolt Spacing	3.543 Inch 90 Millimeter
Cartridge Pilot Diameter	0 Inch 0 Millimeter
Length Thru Bore	1.221 Inch 31.013



NTN BEARING CORP.

	Millimeter
Bore	0.75 Inch 19.05 Millimeter
Cartridge Pilot Depth	0 Inch 0 Millimeter
bore diameter:	0.7500 in
radial dynamic load capacity:	2855 lbf
bolt center-to-center length:	3.5433 in
radial static load capacity:	1472 lbf
overall length/diameter:	4.4095 in
length through bore:	1.2205 in
overall height:	1.4685 in
finish/coating:	Blue Alkyd/Acryl Paint (RAL 5007)
bore type:	Round
bolt size:	0.4528 in
mounting type:	Two-Bolt Flange
maximum rpm:	8500 rpm
housing material:	Cast Iron
lubrication type:	Lubrication Fitting
locking device:	Set Screw
series:	FYTB
expansion type:	Non-Expansion Bearing (Fixed)
manufacturer product page:	Click here
bearing material:	Steel
manufacturer upc number:	7316570338812
Housing material	Cast iron
D_a	50.8 mm
D_{b1}	58 mm
D_{b2}	60.5 mm
A	29.5 mm
A_1	11 mm
A_3	3.2 mm



NTN BEARING CORP.

A ₅	18.5 mm
B ₄	4.5 mm
s ₁	18.3 mm
R _G	1/4-28 UNF
R ₁	20 mm
R	45 °
D _N	6.5 mm
SW _N	7 mm
G _N	1/4-28 SAE-LT
J ₆	74 mm
J ₇	11.5 mm
N ₄	2 mm
Basic dynamic load rating C	12.7 kN
Basic static load rating C ₀	6.55 kN
Fatigue load limit P _u	0.28 kN
Limiting speed	8500 r/min
Mass bearing unit	0.46 kg
Thread grub screw G ₂	1/4-28 UNF
Hexagonal key size for grub screw N	3.175 mm
Recommended tightening torque for grub screw	4 N · m
Recommended diameter for attachment bolts, mm G	10 mm
Recommended diameter for attachment bolts, inch G	0.375 in