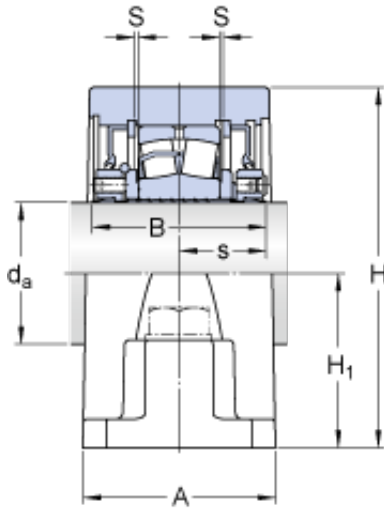




# NTN BEARING CORP.



SYR 2 3/4 N Bearing 2D drawings and 3D CAD models

## SKF SYR 2 3/4 N bearing units

Bearing No. SYR 2 3/4 N

Size	69.85x68.262x65.484 mm
Bore Diameter	69,85 mm
Outer Diameter	68,262 mm
Width	65,484 mm
d <sub>a</sub>	69.85 mm
A	68.262 mm
B	65.484 mm
H	165.894 mm
H <sub>1</sub>	82.55 mm
H <sub>2</sub>	57.15 mm
L	265.112 mm
J - max.	223.838 mm
J - min.	198.438 mm
s	32.941 mm
S	0.794 mm
Basic dynamic load rating - C	212 kN
Limiting speed	2800 r/min
d <sub>a</sub>	69.85 mm
H <sub>1</sub>	82.55 mm
H <sub>2</sub>	57.15 mm
J max.	223.838 mm
J min.	198.438 mm
Basic dynamic load rating C	212 kN
Mass bearing unit	9.98 kg
Attachment bolt diameter G	19.05 mm



# NTN BEARING CORP.