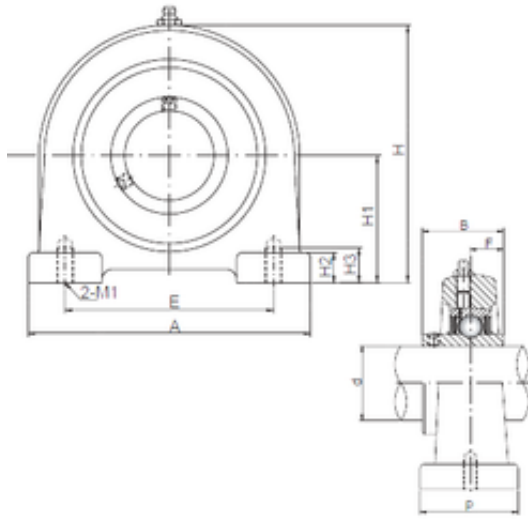




NTN BEARING CORP.



UCPA213 Bearing 2D drawings and 3D CAD models

ISO UCPA213 bearing units

Bearing No. UCPA213

Bore Diameter	65 mm
d	65 mm
H3	25 mm
P	70 mm
A	160 mm
B	65,1 mm
E	124 mm
F	25,4 mm
H	150 mm
H1	76,2 mm
H2	15 mm
Bolt (G)	M16