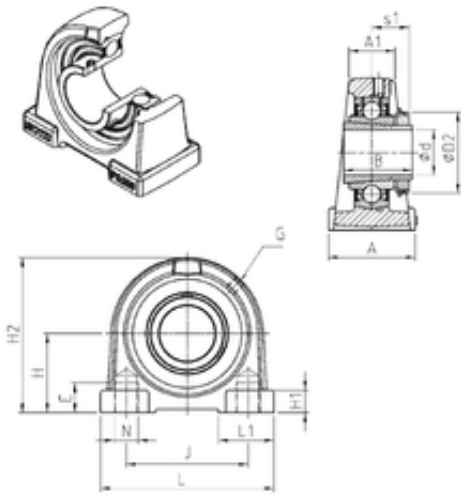




NTN BEARING CORP.

SNR UKPA211H bearing units

Bearing No. UKPA211H



UKPA211H Bearing 2D drawings and 3D CAD models

Bore Diameter	50 mm
d	50 mm
s1	29 mm
A	66 mm
A1	33 mm
B	59 mm
D2	75 mm
E	25 mm
H	63,5 mm
H1	14 mm
H2	125 mm
J	104 mm
L	140 mm
L1	47 mm
Thread (G)	M6x1
Thread (N1)	M16
Weight	3,3 Kg
Basic dynamic load rating (C)	43,55 kN