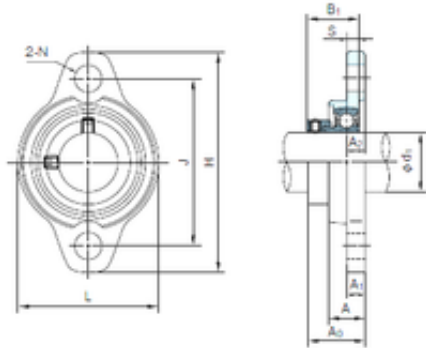




NTN BEARING CORP.

NACHI UFL002 bearing units



Bearing No. UFL002

Bore Diameter	15 mm
d	15 mm
A0	20.5 mm
A	13 mm
A1	6.5 mm
B1	18.5 mm
H	67 mm
J	53 mm
L	42 mm
N	7 mm
S	4.5 mm
Bolt (G)	M6
A2	6.5 mm
Category	Bearings
Inventory	0.0
Manufacturer Name	NACHI
Minimum Buy Quantity	N/A
Weight / Kilogram	1.05
Product Group	M06110

UFL002 Bearing 2D drawings and 3D CAD models