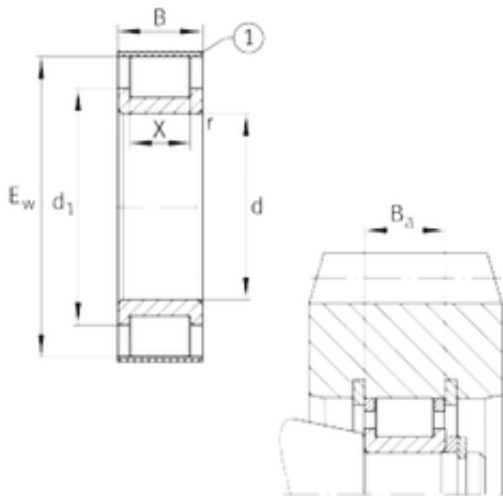




NTN BEARING CORP.

INA RSL182313-A cylindrical roller bearings

Bearing No. RSL182313-A



RSL182313-A Bearing 2D drawings and 3D CAD models

Size	65x126.69x48 mm
Bore Diameter	65 mm
Outer Diameter	126,69 mm
Width	48 mm
d	65 mm
Ew	126,69 mm
B	48 mm
Ba	43,6 mm
X	34 mm
d1	90 mm
r min.	2,1 mm
Weight	2,36 Kg
Basic dynamic load rating (C)	315 kN