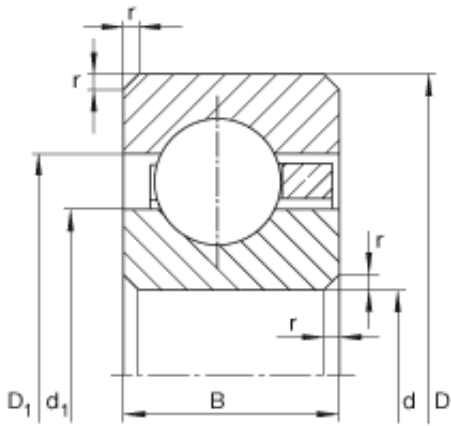




# NTN BEARING CORP.

## 4 1/2 inch x 139,7 mm x 12,7 mm INA CSCD045 deep groove ball bearings

Bearing No. CSCD045



CSCD045 Bearing 2D drawings and 3D CAD models

|                  |  |
|------------------|--|
| Size             | 114.3x139.7x12.7 mm                    |
| Bore Diameter    | 114,3 mm                               |
| Outer Diameter   | 139,7 mm                               |
| Width            | 12,7 mm                                |
| d                | 114,3 mm                               |
| d                | 4 1/2 inch                             |
| D                | 139,7 mm                               |
| B                | 12,7 mm                                |
| D <sub>1</sub>   | 130,3 mm                               |
| d <sub>1</sub>   | 123,7 mm                               |
| r <sub>min</sub> | 1,5 mm                                 |
| m                | 0,4 kg / Weight                        |
| C <sub>r</sub>   | 12900 N / Dynamic load rating (radial) |
| C <sub>0r</sub>  | 13300 N / Static load rating (radial)  |