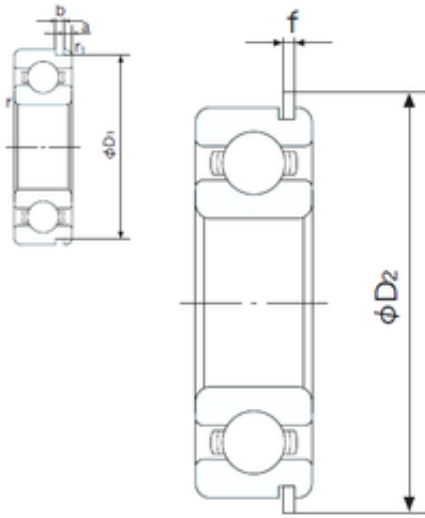




NTN BEARING CORP.



60 mm x 110 mm x 22 mm NACHI 6212NR deep groove ball bearings

Bearing No. 6212NR

6212NR Bearing 2D drawings and 3D CAD models

Size	60x110x22 mm
Bore Diameter	60 mm
Outer Diameter	110 mm
Width	22 mm
d	60 mm
D	110 mm
B	22 mm
C	22 mm
a	3.28 mm
b	2.7 mm
f	2.46 mm
r min.	1.5 mm
r1 min.	0.5 mm
D1	106.81 mm
D2	116.6 mm
Weight	0.783 Kg
Basic dynamic load rating (C)	52,5 kN
Basic static load rating (C0)	36 kN
(Grease) Lubrication Speed	5800 r/min
Category	Single Row Ball Bearings
Inventory	6.0
Manufacturer Name	NACHI
Minimum Buy Quantity	N/A
Weight / Kilogram	0.785
Product Group	B00308



NTN BEARING CORP.

Enclosure	Open
Precision Class	ABEC 1 ISO P0
Maximum Capacity / Filling Slot	No
Rolling Element	Ball Bearing
Snap Ring	Yes
Internal Special Features	No
Cage Material	Steel
Internal Clearance	C0-Medium
Inch - Metric	Metric
Long Description	60MM Bore; 110MM Outside Diameter; 22MM Outer Race Width; Open; Ball Bearing; ABEC 1 ISO P0; No Filling Slot; Yes Snap Ring; No Internal Special Features; C0-Medium Internal Clearance; Steel Cage
Other Features	Deep Groove With Snap Ring
Category	Single Row Ball Bearing
UNSPSC	31171504
Harmonized Tariff Code	8482.10.50.68
Noun	Bearing
Keyword String	Ball
Manufacturer URL	http://www.nachi-america.com
Outside Diameter	4.331 Inch 110 Millimeter
Inner Race Width	0 Inch 0 Millimeter
Bore	2.362 Inch 60 Millimeter
Outer Race Width	0.866 Inch 22 Millimeter
Bore Type	Cylindrical Bore
Configuration	Single Row
Bore Size	60 mm
Width	22 mm



NTN BEARING CORP.

Fillet Radius/Chamfer	1.5 mm
r1	0.5 mm
Snap Ring Width	2.5 mm
Snap Ring Outside Diameter	116.6 mm
D1 (max)	106.8 mm
a (max)	3.3 mm
b (min)	2.7 mm
Dynamic Load Rating	52,500 N
Static Load Rating	36,000 N
Limiting Speed - Grease	6,000 rpm
Limiting Speed - Oil	7,100 rpm
Factor fo	14.3
Radial Clearance	0.008 to 0.028 mm
da (min)	69 mm
Da (max)	101 mm
Dx (min)	118 mm
ra (max)	1.5 mm
Cy (max)	5.4 mm