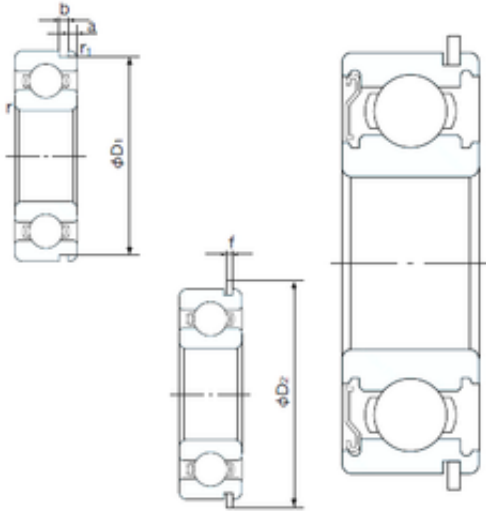




# NTN BEARING CORP.



## 35 mm x 55 mm x 10 mm NACHI 6907ZENR deep groove ball bearings

Bearing No. 6907ZENR

6907ZENR Bearing 2D drawings and 3D CAD models

Size	35x55x10 mm
Bore Diameter	35 mm
Outer Diameter	55 mm
Width	10 mm
d	35 mm
D	55 mm
B	10 mm
C	10 mm
a	1.7 mm
b	0.95 mm
f	0.85 mm
r min.	0.6 mm
r1 min.	0.5 mm
D1	53.7 mm
D2	57.8 mm
Weight	0.075 Kg
Basic dynamic load rating (C)	10,4 kN
Basic static load rating (C0)	7,15 kN
(Grease) Lubrication Speed	12000 r/min
Enclosure	Single Shield with Snap Ring
Bore Type	Cylindrical Bore
Configuration	Single Row
Bore Size	35 mm
Outside Diameter	55 mm
Width	10 mm



## NTN BEARING CORP.

Fillet Radius/Chamfer	0.6 mm
r1	0.5 mm
Snap Ring Width	0.9 mm
Snap Ring Outside Diameter	57.8 mm
D1 (max)	53.7 mm
a (max)	1.7 mm
b (min)	1 mm
Dynamic Load Rating	10,400 N
Static Load Rating	7,150 N
Limiting Speed - Grease	12,000 rpm
Limiting Speed - Oil	15,000 rpm
Factor fo	15.6
Radial Clearance	0.006 to 0.020 mm
da (min)	39 mm
Da (max)	51 mm
Dx (min)	58.5 mm
ra (max)	0.6 mm
Cy (max)	2.3 mm