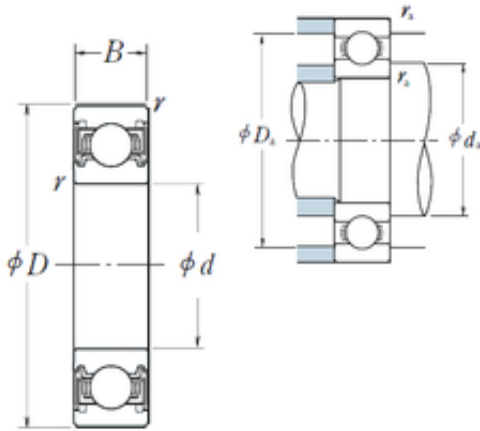




NTN BEARING CORP.



70 mm x 90 mm x 10 mm NSK 6814VV deep groove ball bearings

Bearing No. 6814VV

6814VV Bearing 2D drawings and 3D CAD models

Size	70x90x10 mm
Bore Diameter	70 mm
Outer Diameter	90 mm
Width	10 mm
d	70 mm
D	90 mm
B	10 mm
C	10 mm
r min.	0,6 mm
da min.	74 mm
da max	74,5 mm
Da max.	86 mm
ra max.	0,6 mm
Weight	0,134 Kg
Basic dynamic load rating (C)	12,1 kN
Basic static load rating (C0)	12,7 kN
(Grease) Lubrication Speed	6 700 r/min
Category	Single Row Ball Bearings
Inventory	0.0
Manufacturer Name	NSK
Minimum Buy Quantity	N/A
Weight / Kilogram	0.06
Product Group	B00308
Enclosure	2 Seals
Precision Class	ABEC 1 ISO P0



NTN BEARING CORP.

Maximum Capacity / Filling Slot	No
Rolling Element	Ball Bearing
Snap Ring	No
Internal Special Features	No
Cage Material	Steel
Enclosure Type	Non-Contact Seal
Internal Clearance	C0-Medium
Inch - Metric	Metric
Long Description	70MM Bore; 90MM Outside Diameter; 10MM Outer Race Diameter; 2 Seals; Ball Bearing; ABEC 1 ISO P0; No Filling Slot; No Snap Ring; No Internal Special Features
Category	Single Row Ball Bearing
UNSPSC	31171504
Harmonized Tariff Code	8482.10.50.68
Noun	Bearing
Keyword String	Ball
Manufacturer URL	http://www.nskamericas.com
Manufacturer Item Number	6814VV
Weight / LBS	0.128
Bore	2.756 Inch 70 Millimeter
Outside Diameter	3.543 Inch 90 Millimeter
Outer Race Width	0.394 Inch 10 Millimeter
bore diameter:	70 mm
closure type:	Double Sealed
outside diameter:	90 mm
internal clearance:	Normal Clearance
overall width:	10 mm
manufacturer upc number:	029176026676
bore type:	Round



NTN BEARING CORP.

SRI	2.88
hidYobi	6814VV
LangID	1
D_	90
SREX	0.015
B_	10
da min	74
hidTable	ecat_NS RDGB
SRE	2.88
mass	0.134
GRS rpm	6700
ra	0.6
SRIX	0.015
D_a	86
SRIN	-0.015
C0	12.7
fo	17.2
SREN	-0.015
DE_	85.556
Prod_Type3	DGBB_SR_VV
DA_	5.556
bomp	0
Z_	24
yobi	6814VV
C_conv	12100
ALPHA_	0
SDM_	80
r	0.6
KBRG	6151
SBRG	18
DI_	74.444