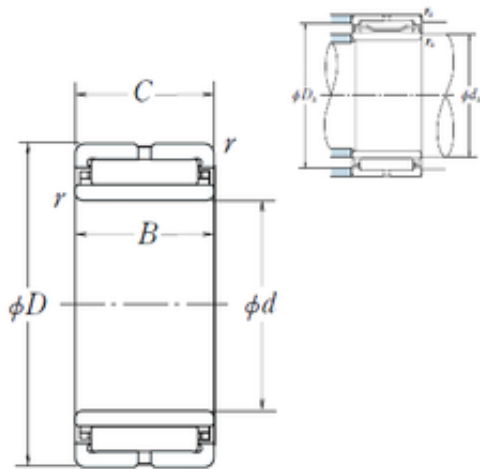




NTN BEARING CORP.

40 mm x 62 mm x 30 mm NSK NA5908 needle roller bearings



Bearing No. NA5908

Size	40x62x30 mm
Bore Diameter	40 mm
Outer Diameter	62 mm
Width	30 mm
d	40 mm
Fw	48 mm
D	62 mm
B	30 mm
C	30 mm
r min.	0,6 mm
da min.	44 mm
Da max.	58 mm
ra max.	0,6 mm
Weight	0,355 Kg
Basic dynamic load rating (C)	54,5 kN
Basic static load rating (C0)	95 kN
(Grease) Lubrication Speed	5600 r/min
hidYobi	NA5908
LangID	1
D_	62
B_	30
hidTable	ecat_NS MRNR
GRS rpm	5600
ra	0.6
da_min	44

NA5908 Bearing 2D drawings and 3D CAD models



NTN BEARING CORP.

d2	40
C0	95
C1_	30
DE_	57
SLR	23.8
Prod_Type3	NRB_S_NA
DA_	4.5
Z_	23
SI	48
yobi	NA5908
da_max	58
OIL rpm	9000
SDM_	52.5
r	0.6
KBRG	8353
mass2	0.355
B1	30