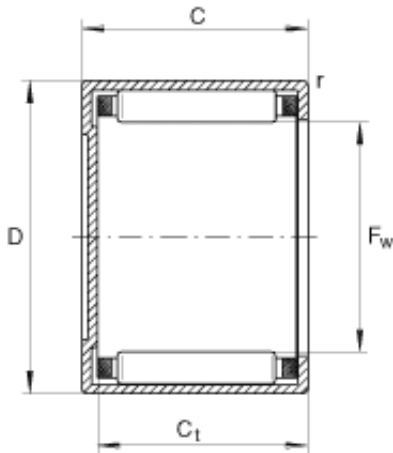




# NTN BEARING CORP.



## INA BK1512 needle roller bearings

Bearing No. BK1512

BK1512 Bearing 2D drawings and 3D CAD models

Size	15x21x12 mm
Bore Diameter	15 mm
Outer Diameter	21 mm
Width	12 mm
$F_w$	15 mm
D	21 mm
C - 12 mm / Tolerance: -0,3	12 mm / Tolerance: 0,3
$C_{tmin}$	9,3 mm
$r_{min}$	0,8 mm
m	13 g / Weight
$C_r$	7900 N / Dynamic load rating (radial)
$C_{0r}$	9400 N / Static load rating (radial)
$C_{ur}$	1150 N / Fatigue limit load, radial
$n_G$	16300 1/min / Limiting speed
$n_B$	11400 1/min / Reference speed
	LR12X15X12,5 / Suitable inner ring
	IR12X15X12,5 / Suitable inner ring
Category	Needle Non Thrust Roller Bearings
Inventory	0.0
Manufacturer Name	SCHAEFFLER GROUP



## NTN BEARING CORP.

Minimum Buy Quantity	N/A
Weight / Kilogram	0.01
Product Group	B04144
Rolling Element	Needle Roller Bearing
Component	Roller Assembly with Outer Ring - No Inner Ring
Enclosure	Open
Self Aligning	No
Retainer	Yes
Number of Rows of Rollers	Single Row
Separable	No
Closed End	Yes
Inch - Metric	Metric
Relubricatable	No
Thrust Bearing	No
Long Description	15MM Bore; 21MM Outside Diameter; 12MM Width; Needle Roller Bearing; Roller Assembly with Outer Ring - No Inner Ring; Open Enclosure; No Self Aligning; Retainer; Single Row of Rollers; No Separable; C
Other Features	1 Rib Outer Ring   Drawn Cup Bearing   Steel Cage
Category	Needle Non Thrust Roller Bearing
UNSPSC	31171512
Harmonized Tariff Code	8482.40.00.00
Noun	Bearing
Keyword String	Needle
Manufacturer URL	<a href="http://www.ina.com">http://www.ina.com</a>
Manufacturer Item Number	BK1512
Weight / LBS	0.024
Width	0.472 Inch   12 Millimeter



## NTN BEARING CORP.

Outside Diameter	0.827 Inch   21 Millimeter
Bore	0.591 Inch   15 Millimeter