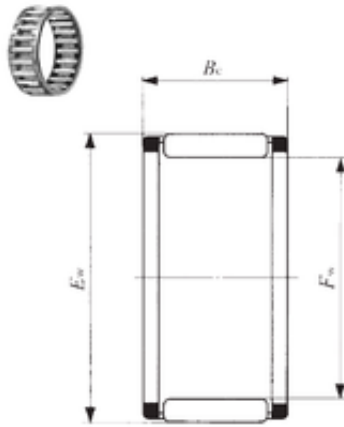




NTN BEARING CORP.



IKO KT 232913 needle roller bearings

Bearing No. KT 232913

Bore Diameter	23 mm
Outer Diameter	29 mm
Fw	23 mm
Ew	29 mm
Bc	13 mm
Weight	0,0151 Kg
Basic dynamic load rating (C)	13,8 kN
Basic static load rating (C0)	17,2 kN
Category	Needle Non Thrust Roller Bearings
Inventory	0.0
Manufacturer Name	IKO
Minimum Buy Quantity	N/A
Weight / Kilogram	0.02
EAN	4549557034688
Product Group	B04144
Rolling Element	Needle Roller Bearing
Component	Roller Assembly Only
Enclosure	Not Applicable
Self Aligning	No
Retainer	Yes
Number of Rows of Rollers	Single Row
Separable	No
Closed End	Not Applicable
Inch - Metric	Metric
Thrust Bearing	No

KT 232913 Bearing 2D drawings and 3D CAD models



NTN BEARING CORP.

Long Description	23MM Bore; 29MM Outside Diameter; 13MM Width; Needle Roller Bearing; Roller Assembly Only; Not Self Aligning; Retainer; Single Row of Rollers; Not Separable
Other Features	C3 Clearance
Category	Needle Non Thrust Roller Bearing
UNSPSC	31171512
Harmonized Tariff Code	8482.99.65.30
Noun	Roller Assembly
Keyword String	Bearing Needle
Manufacturer URL	http://www.ikont.com
Manufacturer Item Number	KT232913C3
Weight / LBS	0.033
Bore	0.906 Inch 23 Millimeter
Width	0.512 Inch 13 Millimeter
Outside Diameter	1.142 Inch 29 Millimeter