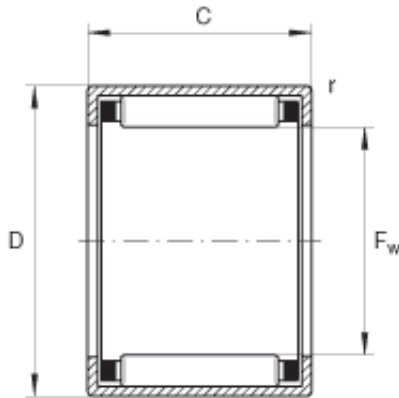




NTN BEARING CORP.



INA HK0609 needle roller bearings

Bearing No. HK0609

Size	6x10x9 mm
Bore Diameter	6 mm
Outer Diameter	10 mm
Width	9 mm
F_w	6 mm
D	10 mm
C - 9 mm / Tolerance: -0,3	9 mm / Tolerance: 0,3
r_{min}	0,4 mm
m	2,5 g / Weight
C_r	2850 N / Dynamic load rating (radial)
C_{or}	2600 N / Static load rating (radial)
C_{ur}	310 N / Fatigue limit load, radial
n_G	36500 1/min / Limiting speed
n_B	27000 1/min / Reference speed
Category	Needle Non Thrust Roller Bearings
Inventory	146.0
Manufacturer Name	SCHAEFFLER GROUP
Minimum Buy Quantity	N/A
Weight / Kilogram	0.002
Product Group	B04144
Rolling Element	Needle Roller Bearing
Component	Roller Assembly with Outer

HK0609 Bearing 2D drawings and 3D CAD models



NTN BEARING CORP.

	Ring - No Inner Ring
Enclosure	Open
Self Aligning	No
Retainer	Yes
Number of Rows of Rollers	Single Row
Separable	No
Closed End	No
Inch - Metric	Metric
Relubricatable	No
Thrust Bearing	No
Long Description	6MM Bore; 10MM Outside Diameter; 9MM Width; Needle Roller Bearing; Roller Assembly with Outer Ring - No Inner Ring; Open; Not Self Aligning; Retainer; Single Row of Rollers; Not Separable; Not Closed
Other Features	2 Rib Outer Ring Drawn Cup Bearing Steel Cage
Category	Needle Non Thrust Roller Bearing
UNSPSC	31171512
Harmonized Tariff Code	8482.99.65.30
Noun	Roller Assembly with Outer Ring
Keyword String	Bearing Needle
Manufacturer URL	http://www.ina.com
Manufacturer Item Number	HK0609
Weight / LBS	0.006
Bore	0.236 Inch 6 Millimeter
Outside Diameter	0.394 Inch 10 Millimeter
Width	0.354 Inch 9 Millimeter