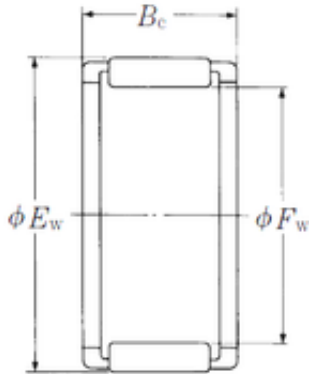




NTN BEARING CORP.

NSK FWF-182412-E needle roller bearings



Bearing No. FWF-182412-E

Bore Diameter	18 mm
Outer Diameter	24 mm
Fw	18 mm
Ew	24 mm
Bc	12 mm
Weight	0,011 Kg
Basic dynamic load rating (C)	10 kN
hidYobi	FWF-182412-E
LangID	1
Prod_Type3	NRB_CNRA_FL
d	18
D_	24
DA_	3
Z_	13
C	10
B_	12
hidTable	ecat_NSCRA
yobi	FWF-182412-E
mass	11
SDM_	21
KBRG	8133
C0	10.6
SLR	7.8

FWF-182412-E Bearing 2D drawings and 3D CAD models