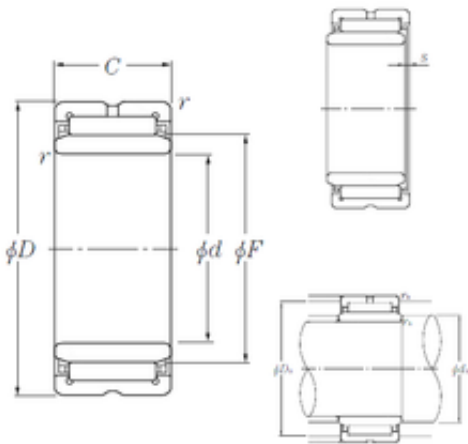




NTN BEARING CORP.

180 mm x 250 mm x 69 mm NTN NA4936 needle roller bearings

Bearing No. NA4936



NA4936 Bearing 2D drawings and 3D CAD models

Size	180x250x69 mm
Bore Diameter	180 mm
Outer Diameter	250 mm
Width	69 mm
d	180 mm
F	205 mm
D	250 mm
B	69 mm
C	69 mm
r min.	2 mm
s	1,5 mm
da min.	189 mm
Da max.	241 mm
ra max.	2 mm
Weight	8,58 Kg
Basic dynamic load rating (C)	375 kN
Basic static load rating (C0)	890 kN
(Grease) Lubrication Speed	1 300 r/min