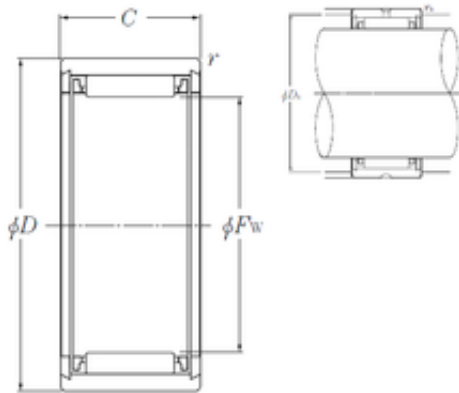




# NTN BEARING CORP.

## NTN NK10/12T2 needle roller bearings



Bearing No. NK10/12T2

NK10/12T2 Bearing 2D drawings and 3D CAD models

Size	10x17x12 mm
Bore Diameter	10 mm
Outer Diameter	17 mm
Width	12 mm
Fw	10 mm
D	17 mm
C	12 mm
r min.	0,3 mm
Da max.	11,5 mm
ra max.	0,3 mm
Weight	0,01 Kg
Basic dynamic load rating (C)	4,55 kN
Basic static load rating (C0)	5,1 kN
(Grease) Lubrication Speed	19000 r/min
rs min	0.3 mm
Dw	1.5 mm
Lw	7.8 mm
Lubrication hole on outer ring	Non/No
Radial clearance class	CN
Precision class	P0
Mass	0.01 kg
Cr	4.55 kN
C0r	5.1 kN
Nlim (grease)	19,000 rpm
Nlim (oil)	28,000 rpm



## NTN BEARING CORP.

Min operating temperature, T <sub>min</sub>	-20 ° C
Max operating temperature, T <sub>max</sub>	120 ° C
Characteristic cage frequency, FTF	0.44 Hz
Characteristic rolling element frequency, BSF	7.54 Hz
Characteristic outer ring frequency, BPF0	5.22 Hz
Characteristic inner ring frequency, BPF1	6.78 Hz
Da max	11.5 mm
ras max	0.3 mm
Category	Roller Bearings
Inventory	0.0
Manufacturer Name	NTN
Minimum Buy Quantity	N/A
Weight / Kilogram	0.011
Product Group	B04144