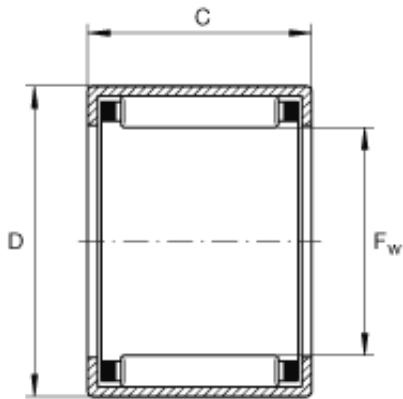




# NTN BEARING CORP.

## INA SCH2212 needle roller bearings

Bearing No. SCH2212



SCH2212 Bearing 2D drawings and 3D CAD models

Size	34.925x44.45x19.05 mm
Bore Diameter	34,925 mm
Outer Diameter	44,45 mm
Width	19,05 mm
F <sub>w</sub>	1 3/8 inch
F <sub>w</sub>	34,925 mm
D	1,75 inch
D	44,45 mm
C	0,75 inch
C	19,05 mm
m	0,127 lbs / Weight
m	57 g / Weight
C <sub>r</sub>	6630 lbf / Dynamic load rating (radial)
C <sub>r</sub>	29500 N / Dynamic load rating (radial)
C <sub>0r</sub>	10100 lbf / Static load rating (radial)
C <sub>0r</sub>	45000 N / Static load rating (radial)
n <sub>G</sub>	7200 1/min / Limiting speed
Category	Needle Non Thrust Roller Bearings
Inventory	0.0
Manufacturer Name	SCHAEFFLER GROUP
Minimum Buy Quantity	N/A
Weight / Kilogram	0.06



## NTN BEARING CORP.

Product Group	B04144
Rolling Element	Needle Roller Bearing
Component	Roller Assembly with Outer Ring - No Inner Ring
Enclosure	Open
Self Aligning	No
Retainer	Yes
Number of Rows of Rollers	Single Row
Separable	No
Closed End	No
Inch - Metric	Inch
Relubricatable	No
Thrust Bearing	No
Long Description	1-3/8" Bore; 1-3/4" Outside Diameter; 3/4" Width; Needle Roller Bearing; Roller Assembly with Outer Ring - No Inner Ring; Open Enclosure; No Self Aligning; Yes Retainer; Single Row of R
Other Features	2 Rib Outer Ring   Drawn Cup Bearing   Steel Cage   Heavy Duty
Category	Needle Non Thrust Roller Bearing
UNSPSC	31171512
Harmonized Tariff Code	8482.40.00.00
Noun	Bearing
Keyword String	Needle
Manufacturer URL	<a href="http://www.ina.com">http://www.ina.com</a>
Manufacturer Item Number	SCH2212
Weight / LBS	0.127
Bore	1.375 Inch   34.925 Millimeter
Outside Diameter	1.75 Inch   44.45 Millimeter



## NTN BEARING CORP.

Width	0.75 Inch   19.05 Millimeter
-------	------------------------------