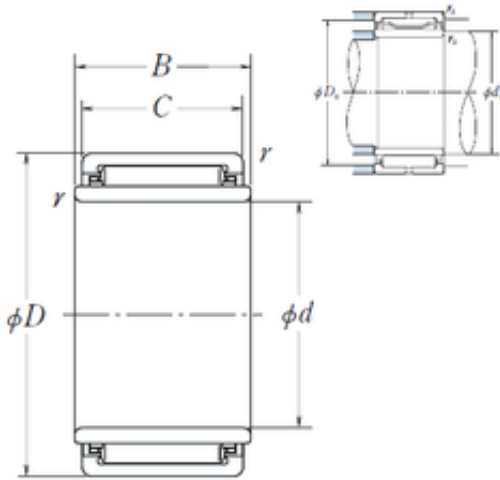




NTN BEARING CORP.

25 mm x 40 mm x 30,2 mm NSK LM304030
needle roller bearings

Bearing No. LM304030



LM304030 Bearing 2D drawings and 3D CAD models

Size	25x40x30.2 mm
Bore Diameter	25 mm
Outer Diameter	40 mm
Width	30,2 mm
d	25 mm
Fw	30 mm
D	40 mm
B	30,2 mm
C	30 mm
r min.	0,5 mm
da min.	29 mm
Da max.	36 mm
ra max.	0,5 mm
Weight	0,14 Kg
Basic dynamic load rating (C)	35 kN
Basic static load rating (C0)	56 kN
(Grease) Lubrication Speed	7100 r/min
hidYobi	LM304030
LangID	1
D_	40
B_	30.2
hidTable	ecat_NSMRNR
GRS rpm	7100
ra	0.5
da_min	29



NTN BEARING CORP.

d2	25
C0	56
C1_	30
DE_	37
SLR	23.8
Prod_Type3	NRB_S_LM
DA_	3.5
Z_	18
SI	30
yobi	LM304030
da_max	36
OIL rpm	12000
SDM_	33.5
r	0.5
KBRG	8352
mass2	0.14
B1	30.2