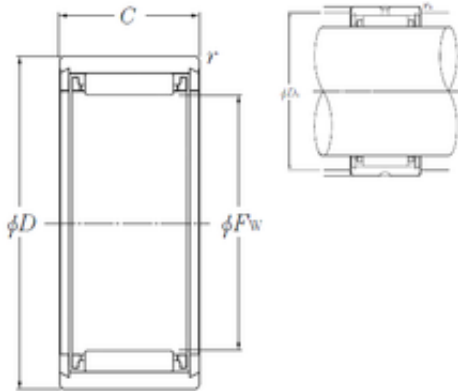




# NTN BEARING CORP.

## NTN NK6/10T2 needle roller bearings

Bearing No. NK6/10T2



NK6/10T2 Bearing 2D drawings and 3D CAD models

Size	6x12x10 mm
Bore Diameter	6 mm
Outer Diameter	12 mm
Width	10 mm
Fw	6 mm
D	12 mm
C	10 mm
r min.	0,15 mm
Da max.	7,5 mm
ra max.	0,15 mm
Weight	0,0047 Kg
Basic dynamic load rating (C)	2,66 kN
Basic static load rating (C0)	2,28 kN
(Grease) Lubrication Speed	25000 r/min
rs min	0.15 mm
Dw	1.5 mm
Lw	5.3 mm
Lubrication hole on outer ring	Oui/Yes
k	2 mm
Radial clearance class	CN
Precision class	P0
Mass	0.0047 kg
Cr	2.66 kN
C0r	2.28 kN
Nlim (grease)	25,000 rpm



## NTN BEARING CORP.

Nlim (oil)	37,000 rpm
Min operating temperature, Tmin	-20 ° C
Max operating temperature, Tmax	120 ° C
Characteristic cage frequency, FTF	0.4 Hz
Characteristic rolling element frequency, BSF	4.8 Hz
Characteristic outer ring frequency, BPF0	4 Hz
Characteristic inner ring frequency, BRF1	6 Hz
Da max	7.5 mm
ras max	0.15 mm
Category	Bearings
Inventory	0.0
Manufacturer Name	NTN
Minimum Buy Quantity	N/A
Weight / Kilogram	0.009
Product Group	B04144