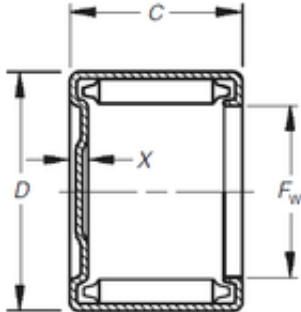




# NTN BEARING CORP.

## Timken M-1281 needle roller bearings



Bearing No. M-1281

Size	19.05x25.4x12.7 mm
Bore Diameter	19,05 mm
Outer Diameter	25,4 mm
Width	12,7 mm
F <sub>w</sub>	19,05 mm
D	25,4 mm
C	12,7 mm
C1	2,29 mm
Weight	0,019 Kg
Basic dynamic load rating (C)	14,1 kN
Basic static load rating (C0)	22 kN
(Grease) Lubrication Speed	3600 r/min

M-1281 Bearing 2D drawings and 3D CAD models