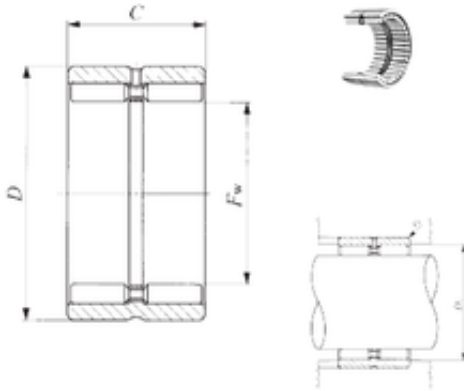




# NTN BEARING CORP.

## IKO GBR 486028 needle roller bearings



Bearing No. GBR 486028

Size	76.2x95.25x44.45 mm
Bore Diameter	76,2 mm
Outer Diameter	95,25 mm
Width	44,45 mm
Fw	76,2 mm
D	95,25 mm
C	44,45 mm
Da max.	88 mm
ra max.	1,5 mm
Weight	0,745 Kg
Basic dynamic load rating (C)	214 kN
Basic static load rating (C0)	452 kN

GBR 486028 Bearing 2D drawings and 3D CAD models