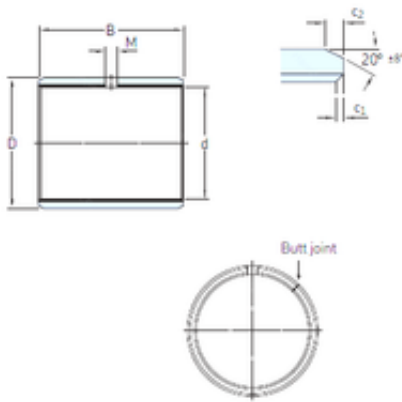




# NTN BEARING CORP.

## 22,225 mm x 25,4 mm x 19,05 mm SKF PCZ 1412 M plain bearings



Bearing No. PCZ 1412 M

Size	22.225x25.4x19.05 mm
Bore Diameter	22,225 mm
Outer Diameter	25,4 mm
Width	19,05 mm
d	22,225 mm
D	25,4 mm
B	19,05 mm
c1 min	0,1 mm
c2 min	0,2 mm
M	4 mm
Weight	0,015 Kg
Basic dynamic load rating (C)	49 kN
c <sub>1</sub> min.	0.1 mm
c <sub>1</sub> max.	0.7 mm
c <sub>2</sub> min.	0.2 mm
c <sub>2</sub> max.	1 mm
± 8	20 °
Shaft diameter range min.	21.913 mm
Shaft diameter range max.	21.943 mm
Housing bore range min.	25.4 mm
Housing bore range max.	25.42 mm
Basic dynamic load rating - radial direction C	49 kN
Basic static load rating - radial direction C <sub>0</sub>	102 kN

PCZ 1412 M Bearing 2D drawings and 3D CAD models



## NTN BEARING CORP.

Specific dynamic load factor K	120 N/mm <sup>2</sup>
Specific static load factor K <sub>0</sub>	250 N/mm <sup>2</sup>
Factor depending on material and bearing type K <sub>M</sub>	1900
Permissible sliding velocity v min.	0 m/s
Permissible sliding velocity v max.	2.5 m/s
Coefficient of friction $\mu$ min.	0.02
Coefficient of friction $\mu$ max.	0.2
Mass bushing	0.015 kg