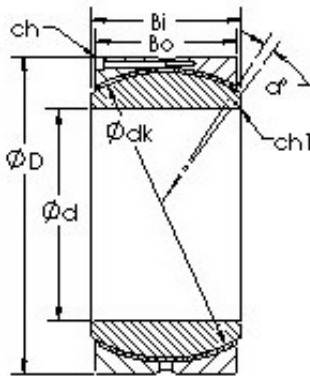




NTN BEARING CORP.



AST GEH400HC plain bearings

Bearing No. GEH400HC

Bore Diameter	400 mm
Outer Diameter	580 mm
Bearing Type	standard
Bore Dia (d)	400.0000
Outer Dia (D)	580.0000
Outer Width (Bo)	265.0000
Inner Width (Bi)	280.0000
Dynamic Load Rating (Cr)	13,620,000
Static Load Rating (Cor)	27,240,000
Max. shaft corner radius, or 45 deg. chamfer (ch1)	1.500
Max. housing corner radius, or 45 deg. chamfer (ch)	4.000
Spherical Diameter (dk or Dk)	514.000
Mis-alignment Angle (a deg.)	2
Weight (g)	290,000.00
Material	Outer ring made from carbon steel, inner ring 52100 chrome steel or equivalent

GEH400HC Bearing 2D drawings and 3D CAD models