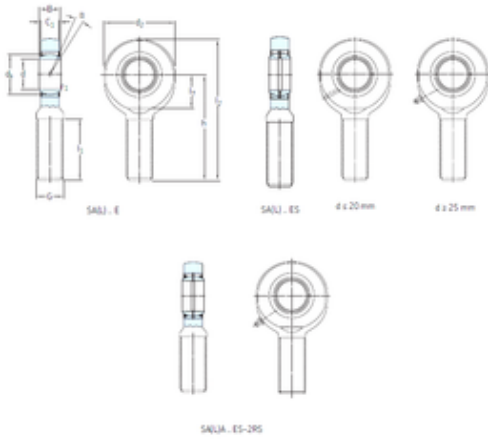




NTN BEARING CORP.



SKF SALA60ES-2RS plain bearings

Bearing No. SALA60ES-2RS

Bore Diameter	60 mm
d	60 mm
d2	137 mm
dk	80 mm
h	210 mm
l1 min.	115 mm
l2 max.	281 mm
l7 min.	73 mm
r1 min.	1 mm
B	44 mm
C1	39 mm
Thread (G)	M52x3 Tolerance 6g
Angle	6 °
Weight	5,7 Kg
Basic dynamic load rating (C)	245 kN

SALA60ES-2RS Bearing 2D drawings and 3D CAD models