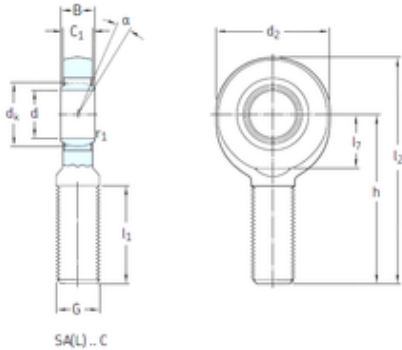




NTN BEARING CORP.

SKF SA30C plain bearings



Bearing No. SA30C

Bore Diameter	30 mm
d	30 mm
d2 max.	75 mm
dk	40,7 mm
h	110 mm
l1 min.	65 mm
l2 max.	149 mm
l7 min.	34 mm
r1 min.	0,6 mm
B	22 mm
C1 max	20 mm
Thread (G)	M30x2 Tolerance 6g
Angle	6 °
Weight	0,9 Kg
Basic dynamic load rating (C)	65,5 kN

SA30C Bearing 2D drawings and 3D CAD models