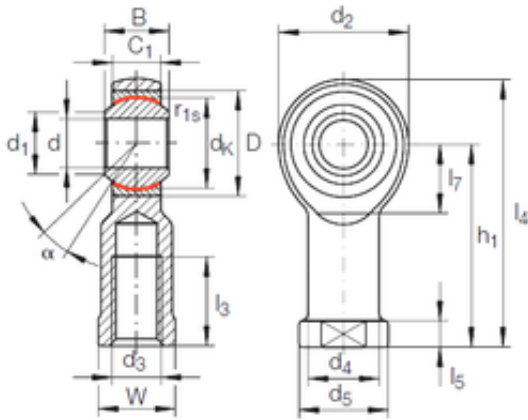




NTN BEARING CORP.

12 mm x 26 mm x 16 mm INA GIPR 12 PW plain bearings



GIPR 12 PW Bearing 2D drawings and 3D CAD models

Bearing No. GIPR 12 PW

| | |
|-------------------------------|-------------|
| Size | 12x26x16 mm |
| Bore Diameter | 12 mm |
| Outer Diameter | 26 mm |
| Width | 16 mm |
| d | 12 mm |
| D | 26 mm |
| B | 16 mm |
| d1 | 15,4 mm |
| d2 | 32 mm |
| d4 | 17,5 mm |
| dk | 22,225 mm |
| h1 | 50 mm |
| l3 min. | 22 mm |
| l4 max. | 66 mm |
| l5 | 6,5 mm |
| l7 min. | 17 mm |
| r1 min. | 0,3 mm |
| C1 | 12 mm |
| W | 19 mm |
| Thread (G) | M12X1,25 |
| Angle | 13 ° |
| d5 | 22 r/min |
| Weight | 0,1 Kg |
| Basic dynamic load rating (C) | 24 kN |