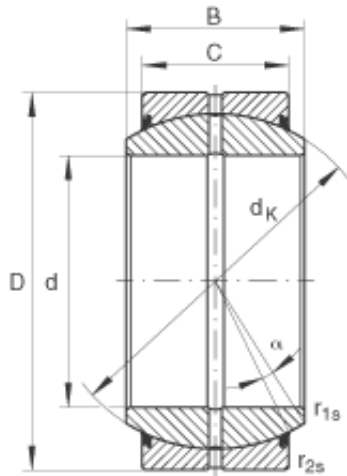




# NTN BEARING CORP.



## INA GE260-DO-2RS plain bearings

Bearing No. GE260-DO-2RS

GE260-DO-2RS Bearing 2D drawings and 3D CAD models

Size	260x370x150 mm
Bore Diameter	260 mm
Outer Diameter	370 mm
Width	150 mm
C	110 mm
$D_{a\ min}$	319 mm
$d_{a\ max}$	288,3 mm
$d_K$	325 mm
$r_{1s\ min}$	1,1 mm
$r_{2s\ min}$	1,1 mm
alf ( ° )	7
Weight (kg)	51,1
$C_r$ (N)	3040000
$C_{Or}$ (N)	15200000
Category	Spherical Plain Bearings - Radial
Inventory	0.0
Manufacturer Name	SCHAEFFLER GROUP
Minimum Buy Quantity	N/A
Weight / Kilogram	61.191
Product Group	B04264
Self Aligning	Yes
Rolling Element	Spherical Plain
Material - Outer Member	Steel
Material - Ball	Steel
Material - Liner	Not Applicable



## NTN BEARING CORP.

Relubricatable	Yes
Enclosure	2 Seals
Other Features	2 Piece   Single Axial Split in Outer Ring
Long Description	260MM Bore; 110MM Housing Width; 370MM Outside Diameter; Spherical Plain; Steel Outer Member; Steel Ball; No Liner; 150MM Overall Width; Relubricatable
Inch - Metric	Metric
Category	Plain Bearings Spherical Radial
UNSPSC	31171515
Harmonized Tariff Code	8483.30.80.70
Noun	Bearing
Keyword 3	Spherical
Keyword String	Plain Spherical Radial
Manufacturer URL	<a href="http://www.ina.com">http://www.ina.com</a>
Manufacturer Item Number	GE260DO2RS
Weight / LBS	110
Bore	10.236 Inch   260 Millimeter
Overall Width	5.906 Inch   150 Millimeter
Housing Width	4.331 Inch   110 Millimeter
Outside Diameter	14.567 Inch   370 Millimeter