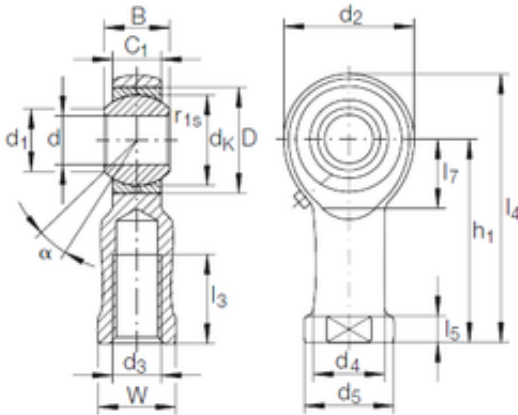




NTN BEARING CORP.

16 mm x 32 mm x 21 mm INA GIKL 16 PB plain bearings

Bearing No. GIKL 16 PB



GIKL 16 PB Bearing 2D drawings and 3D CAD models

Size	16x32x21 mm
Bore Diameter	16 mm
Outer Diameter	32 mm
Width	21 mm
d	16 mm
D	32 mm
B	21 mm
d1	19,3 mm
d2	42 mm
d4	22 mm
dk	28,575 mm
h1	64 mm
l3 min.	28 mm
l4 max.	85 mm
l5	8 mm
l7 min.	23 mm
r1 min.	0,3 mm
C1	15 mm
W	22 mm
Thread (G)	M16
Angle	15 °
d5	28 r/min
Weight	0,22 Kg
Basic dynamic load rating (C)	21,6 kN