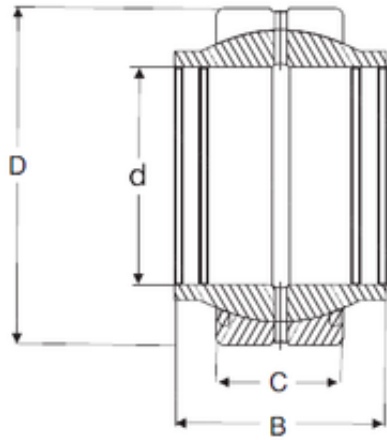




NTN BEARING CORP.

80 mm x 120 mm x 80 mm SIGMA GEG 80 ES
plain bearings



Bearing No. GEG 80 ES

Size	80x120x80 mm
Bore Diameter	80 mm
Outer Diameter	120 mm
Width	80 mm
d	80 mm
D	120 mm
B	80 mm
C	45 mm

GEG 80 ES Bearing 2D drawings and 3D CAD models